

GENERAL RULES

***THE INTENT AND INTERPRETATION OF THE RULES WILL BE THE DECISION OF OFFICIALS IN CHARGE. IT IS STRONGLY RECOMMENDED THAT ANY COMPETITOR THAT HAS ANY QUESTIONS OR DOUBT ABOUT THE INTERPRETATION OR INTENT OF THE RULES CHECK WITH SPEEDWAY OFFICIALS. ALL DECISIONS OF THE OFFICIAL IN CHARGE SHALL BE FINAL.**

Unless otherwise stated in a particular division, **these general rules apply to all divisions.**

SAFETY

NOTE: The following safety rules set forth by the SPEEDWAY do not guarantee prevention of personal injury, but are a guideline to building a safer racing vehicle.

- A.** Fuel cells are required. The maximum capacity allowed is 22 gallons. Fuel cell must have a working check valve and foam.
- B.** Fuel cell must be mounted equal distance between rear frame rails and at least 8" above ground.
- C.** Fuel cell vent and overflow may not exceed 1" in diameter. Overflow must exit at rear of car.
- D.** Fuel cell must have four (4) 1/8" x 1" straps under cell and at least two (2) on top of cell bolted to fuel cell frame.
- E.** Fuel cell must be protected at rear by 1-1/2" roll bar tubing extending below rear of frame 1/2" beyond bottom of cell and the width of the cell, with one (1) center brace.
- F.** Fuel line must be run in metal tubing or metal conduit from cell to pump.
No electric fuel pumps permitted.
- G.** Cars must have fire extinguisher on-board in working order with gauge.
Must be in driver's reach. Driver responsible for updating.
- H.** Drive Shaft and Bolt on Lead or Ballast must be painted white.
- I.** Window Net required. Must release from top and mount on roll cage at bottom.
- J.** Steering Wheel must be padded at center. Release hub recommended.
- K.** All Roll Bars in driver's reach must be padded.
- L.** No open holes in floor pan or firewalls permitted.
- M. Five (5) Point Harness System with 3" lap belt and shoulder harness required.**
 - 1. Both ends must be fastened to roll bar cage of car with aircraft quality bolts, no less than 3/8" in diameter.
 - 2. A steel plate may be welded to roll bar cage on right side of driver so that the belt can be brought down in such a manner that it will keep the driver from sliding from side to side under the belt.
 - 3. The belt must come from behind the driver over roll bar.
- N.** At least two (2) return springs required on throttle.
- O.** Switches must be within driver's reach with belts on.
- P.** Helmets are required and should meet Federal Motor Vehicle

Safety Standards.

- Q. All drivers are required to wear approved flame retardant suits and gloves during all practice, qualifying and race conditions. (NO Coveralls)**
- R.** Radiator overflow must be run up to windshield so driver or official can see water in case car runs hot.
- S.** Absolutely **NO ANTIFREEZE** in coolant system.

ROLL CAGE

1. Steel Roll bars must be 1 1/2" outside diameter minimum.
2. Four (4) bars are required on driver's side extending from main cage to door, three (3) bars on right side. All seams and joints must be welded solid.
3. Roll Cage must be approved by SPEEDWAY officials before entering race track.

SEATS

1. Bucket seats are mandatory and must be approved. Seats may be fiberglass or aluminum, bolted to seat frame attached to roll cage.
2. Seat must be high back with padded head rest.
3. Location of seat cannot extend past rear of door.

APPEARANCE

1. All cars must be neatly painted and maintained.
2. Numbers must be at least 24" on both right and left side of car. No Silver or Gold numbers. **TWO NUMBERS ONLY. NO LETTERS**
3. **NO duplicate numbers.** Numbers have to be assigned through the track. Duplicates will be reassigned at track discretion.
For number Call: Sandra Parker 798-2171 or 999-3510.

PROTESTS

- A.** Only drivers can appoint someone to inspect car or protest. Protesting driver must compete in feature race. No protesting anyone finishing behind you. All protest must receive approval of Chief Pit Steward. Spite protest or protest done in an unsportsmanlike manner will not be accepted. Protest must be made within 10 minutes of feature. You have 45 minutes to be ready to be teched.
- B.** Visual protest (requiring no measurements whatsoever) must be presented to Chief Pit Steward in writing BEFORE THE DRIVERS MEETING starts. \$30.00 non refundable charge.
NO VISUAL PROTEST CAN BE MADE AFTER THE RACE IS OVER.
- C.** All other protest or claims must be presented to Chief Pit Steward in writing within 10 minutes of finish of feature race accompanied by \$150.00 per protest; \$25.00 is given to the person designated to make measurements; and \$125.00 to the driver who wins the protest.
- D.** Driver of cars found illegal forfeit points, money earned and will start on rear the the next race they attend.
- E.** Any driver refusing to tear down will not be allowed to protest another driver for the remaining season.

ENFORCEMENT

- A. The fact that an infraction is not noted does not make it legal
- B. Chief Pit Steward may add weight for infractions that create an advantage.
- C. The Chief Pit Steward has the final word on any rule or protest.
- D. All problems will be handled in a calm and sportsmanlike manner. Anyone not conducting themselves in a sportsmanlike manner may have their license revoked for an indefinite period of time.
- E. Loose lead found on any car after race will automatically disqualify car. **(NO Excuses)**
- F. Can be black flagged for dragging pieces. Will need to be checked for safety by pit official.
- G. If you spin someone out, **BOTH** cars will be sent to rear.
- H. **NO** 2 Way Radios will be allowed

CONDUCT IN PIT AREA

- A. Drivers and/or car owners are responsible for their entire pit crew.
- B. **ABSOLUTELY NO DRINKING BY ANYONE WILL BE ALLOWED IN THE PIT AREA.**
- C. Any pit crew member or anyone else in the pit area who violates the above stated rule will be in contempt and be fined \$50.00. In addition, the driver will lose all winnings and points for the event, and will be suspended from the next racing event.
- D. Drivers and crew members will conduct themselves in a calm and sportsmanlike manner at all times. Any one throwing anything will be Fined & Barred. Minimum Fine \$100.
- E. Any crew member or fan in the pit area who uses loud and abusive language towards a pit crew member or track official, or any individual who is guilty of starting or **engaging in a fight will be fined a minimum of \$100.00.** In addition, the driver will lose all winnings and points for the event, and could be suspended from the next 2 (two) racing events. According to severity, suspension can be indefinite. Anyone hitting a track official will be fined \$200 and suspended. Family or fans coming out of stands will automatically cause driver to lose points and money for that night.

FUEL

The only approved fuel for operation of any racing vehicle on the SPEEDWAY is racing gasoline. ALCOHOL OR NITROUS IS STRICTLY PROHIBITED. Violations subject to a fine of \$200.00.

NOTE: The SPEEDWAY reserves the right to modify/change rules during the season as deemed necessary for safety, fair competition, or any other reason that track officials feel may be appropriate.

GENERAL RULES Continued

TRACK HAS THE RIGHT TO BAR ANYONE WE FEEL IS BEING DETRIMENTAL TOWARDS THE TRACK OR DRIVERS THROUGH SOCIAL MEDIA OR ANY OTHER MEANS.

ATTENTION ALL DRIVERS

NO PROFANITY ON CARS. NO SUGGESTIVE ART WORK ON CARS.

Drivers **MUST** purchase a yearly membership pit license before you race.

Points will be awarded in each division you race in. Therefore you **MUST PURCHASE** a membership pit license for each division you race in.

YOU CANNOT race in 2 (two) divisions in the same night except for the Renegades. Anyone may run these divisions as long as you have a **MEMBERSHIP** for **EACH CLASS** you race in.

YOU CANNOT race in Buzz once you move up from this divisions.
Buzz is a beginner division.

Anyone wishing to move down to street stock must check with track official before you race. Driver moving down is at track discretion.

TECH will be deferred back to the last car that finished the race, i.e. crossed the checkered flag

2021 OPEN WHEEL MODIFIED (TENTATIVE)

THE INTENT AND INTERPRETATION OF THE RULES WILL BE THE DECISION OF OFFICIALS IN CHARGE. IT IS STRONGLY RECOMMENDED THAT ANY COMPETITOR THAT HAS ANY QUESTIONS OR DOUBT ABOUT THE INTERPRETATION OR INTENT OF THE RULES CHECK WITH SPEEDWAY OFFICIALS. ALL DECISIONS OF THE OFFICIAL IN CHARGE SHALL BE FINAL.

THE INTENT AND INTERPRETATION OF THE RULES WILL BE THE DECISION OF OFFICIALS IN CHARGE. IT IS STRONGLY RECOMMENDED THAT ANY COMPETITOR THAT HAS ANY QUESTIONS OR DOUBT ABOUT THE INTERPRETATION OR INTENT OF THE RULES CHECK WITH SPEEDWAY OFFICIALS. ALL DECISIONS OF THE OFFICIAL IN CHARGE SHALL BE FINAL.

GENERAL

1. American made frames 105" wheel base minimum
2. Cars must weigh 2550, 1 pound per lap burn off
3. Rear of engine must be mounted 72 inches forward from center line of rear axle.
Engine offset within 2" of center of crossmember.
4. 2 way radios will be allowed for safety reasons. Track reserves the right to take away from any driver using them for wrong reason

WEIGHT:

2550 Minimum 58.0% Left side max for Steel Head Built engines.

2600 Minimum 58.0% Left side max for Aluminum Head Built engines.

NO titanium products, parts or components allowed on chassis or suspension.

NO gun-drilled, tubular or hollow bolt or studs anywhere on car.

ENGINES

NO aluminum blocks. No Dry Sump Systems.

Aluminum heads must bolt 50 lbs. in front of bell housing.

CARBURETOR

One 2 barrel or 4 barrel only.

FRAMES

Must maintain 4" ground clearance at all times. Factory production complete full 1960 or newer parallel American passenger car frames only with a Minimum

SUSPENSION AND STEERING.

Front steering must be unaltered approved OEM and be in stock location, and must be replaceable by OEM appearing parts. Tie rod ends and adjustment sleeve may be replaced by a minimum .625-inch rod end and steel tube. Stock passenger car spindles or fabricated spindles must be steel. Bottom A-frames cannot be altered or moved. Front sway bar must be stock appearing and diameter of 1 3/8" maximum. Steering parts must be steel approved OEM and must remain within original bolt pattern for type of frame used. **NO** rack & pinion allowed. Coil over kits with minimum of 4.5" springs on rear only. **NO** bump stops, coil binding or chassis stops allowed, maximum 2 spring rubbers per spring and a minimum of 500 pound front spring rate. **NO** driver adjustments from cockpit except for brakes.

BRAKES

Must be steel, approved OEM APPEARING calipers, and cannot be lightened. Steel vented rotors only, no scalloped rotors. Rotors cannot be lightened.

BODIES

All body rules are at the discretion of tech official. Must be full size roof. (Must cover halo) Body sides must be straight front to back with a maximum length of 120" starting from back of engine, maximum width of 66" and body rake of 6" must be straight front to rear and flat. Asphalt type nose piece allowed no wider than 43 1/2 inches. Engine compartment must remain open. Passenger side of body must be no further forward than rear of engine. Right side "A" posts must be within 8" of right side of car or 50 lbs. penalty. Wing window not included in measurement. Interior wings, belly pans, double skinned roofs, fins, wings, vanes, vertical ledges, ramps or any other air directing devices are not allowed. 12" MAX length triangular enclosure at the 'A' pillar will be allowed. All cars are required to have side nerf bars mounted even with outside of tire. Must maintain 4" ground clearance at all times. Spoiler Max. 8" x 66" rear spoiler with maximum of 4 straight forward braces no longer than 16" Late model spoiler braces may be used front or rear of spoiler. Gurney flaps or curls are allowed but will be included in all measurements.

IGNITION

MSD or Crane Ignition boxes allowed. **NO** traction Control. 7600 rev limiter required

FUEL

Sunoco Racing Fuel **ONLY**. **NO** performance-enhancing fuel additives of any kind. OBERG Fuel Line Safety Valve # SV-0828 required.

TIRES AND WHEELS

8" steel wheels only. American Race Tire KK-704 With Sayre and Huntsville Stamp. **SOAK RULE: NO** Soaking or altering of tires in any manner allowed. Drivers soaking or altering tires will forfeit all purse and points for event and all points for year.

SAFETY

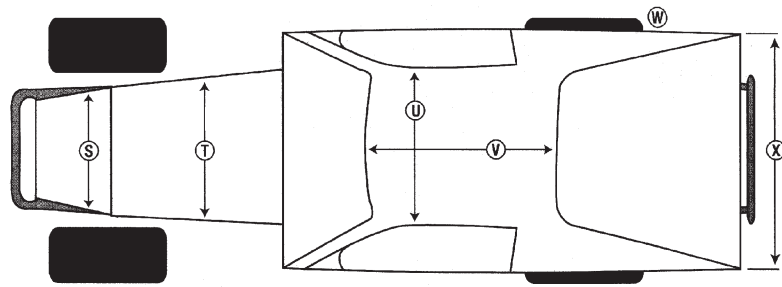
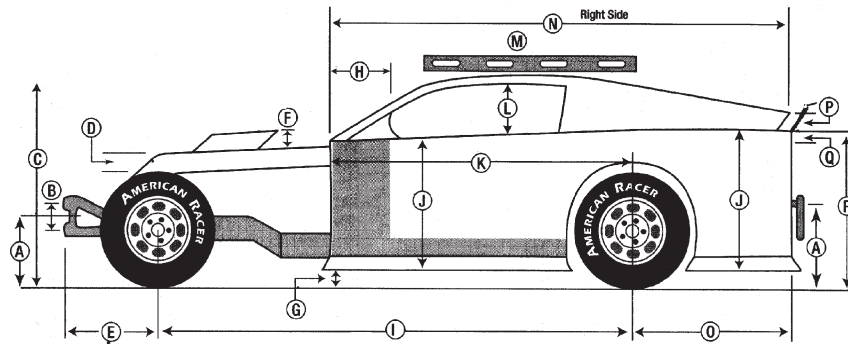
1. Fuel cell required. 22 gallon max. It must not be lower than rear housing.
2. Left side window net required.
3. Seat belt and shoulder harness required. All belts must be quick release types. Harness must be type that comes individually over both shoulders. Racing seat only. Seat must be bolted or welded to roll cage.
4. Two (2) drive shaft supports are required. **NO** carbon fiber drive shafts permitted. Drive shaft must be painted white.
5. Fire suits, Gloves, Approved Helmet required.
6. Roll Bar padding required within all areas of drivers reach
7. Must have minimum 2-pound fire extinguisher with a gauge and a quick release mounted securely in car within reach of driver while belted in car.
8. All weight (lead) must be mounted above frame/inside frame rail with a minimum of two (2) 1/2 inch bolts. All weights are to be painted white or florecent with the car # painted on each piece. Any driver that loses any lead from his/her car will be fined \$10.00 per pound payable prior to any further competition. This rule is in effect during race day or practice days.
9. **NO** Titanium. Lines to fuel pressure gauge must be steel braided type.
10. OBERG Fuel - Line Safety Valve #SV-0828 required.
11. TRACK OFFICIALS must approve all safety equipment.

OPEN WHEEL MODIFIED BODY DIMENSIONS FOR 2021

- A. 20 "max 16" min. (ground to center of bumpers, front and rear)
- B. 6.5 min. (center to center)
- C. 52" max. 42" min.
- D. Hood 4" max. drop (sides). sealed off from driver's compartment and max. 3" rake.
- E. 42" max.
- F. 6" max.
- G. 4" min.
- H. 19" max., must be same on both sides.
- I. 112" max. 108" min.
- J. 27" max 22" min.
- K. 72" max. or not past back of block, right side. Left side may extend forward to cover foot box.
- L. 18" max. 12" min. opening, both sides.
- M. With level, must have between 1/2" and 2" clearance at rear of roof, 1/2" to 5" at front.
- N. 120" max. 106" min.
- O. 48" max. 34" min.
- P. Spoiler 5"
- Q. Interior slope is 6" max. front to rear and flat across. If flat at front half of interior you have used up 50 % of your 6" so from behind driver to rear you may only have 3". Top of interior must be flush with top of door and quarter panels. An optional escape hatch from driver to passenger door to provide 12" opening allowed.
- R. 38" max 28" min.
- S. Max. no wider than front frame horns. Min. 24"
- T. 66" max. 24" min. no narrower than radiator.
- U. 52" max . 44" min.
- V. 56" max. 41" min.
- W. Tires must be widest part of car.
- X. 66" max. 53" min.
- Y. All rear bumpers must be constructed of square or round tubing, no wider than five inches outside of rear frame rails and similar to drawing. If rear bumper is wider than five inches outside rear frame rails, it must be constructed in a loop design.

Shaded area reserved for sponsor decals. MUST DISPLAY ALL DECALS TO BE ELIGIBLE FOR ANY CONTINGENCY AWARDS OR POINT FUNDS.

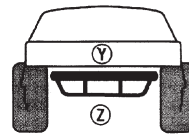
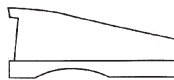
(P) 5" Spoiler



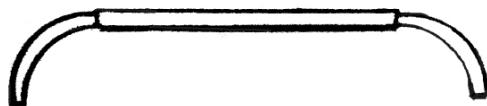
Sail Panel



Sail Panels



Rear Bumper



2021 BUZZ RULES {TENTATIVE}

THE INTENT AND INTERPRETATION OF THE RULES WILL BE THE DECISION OF OFFICIALS IN CHARGE. IT IS STRONGLY RECOMMENDED THAT ANY COMPETITOR THAT HAS ANY QUESTIONS OR DOUBT ABOUT THE INTERPRETATION OR INTENT OF THE RULES CHECK WITH SPEEDWAY OFFICIALS. ALL DECISIONS OF THE OFFICIAL IN CHARGE SHALL BE FINAL

CHASSIS:

1. Any stock 4 cylinder sedan, or station wagon from 1984 model up.
All cars front wheel drive only.
2. All glass must be removed except windshield and it may be Lexan.
3. Must have racing seat belts.
4. All flammable materials must be removed except dash and it needs to be stock.
5. All doors, hood and trunk must be secured during race. (Welded, bolted, or chained)
6. Battery may be relocated to a safe place. Master disconnect on battery cable highly recommended.

ENGINE

1. NO turbos or superchargers.
2. Stock air box and air inlet tube.
3. All engines must be stock for make and model of vehicle.
Your unaltered VIN is your proof. Any attempt to alter or destroy VIN, or the engine serial number is grounds for automatic disqualification.
4. Removal of entire A/C and heating components are allowed.
5. Exhaust must exit either in the rear or passenger side of car.
Aftermarket headers allowed. Catalytic converter may be removed.
6. Must run approved mufflers
7. Must run stock ignition coils-modules, chips, etc. (NO MSD)

TRANSMISSION

1. Automatic or manual transmission allowed.
2. Stock clutch, pressure plate only. NO aluminum flywheels allowed. NO machining of factory flywheel allowed. Steel replacement flywheel allowed, no machining.
3. NO positive traction allowed. NO limited slip, or locking devices allowed.

WHEELS AND TIRES

1. All 4 wheels must be same size 14" or 15"
2. All wheels must be stock except right front may be 7" wide racing wheel. All other wheels must be no wider than 6".
3. **Steel or Aluminum wheels, 1" lug nuts highly recommended.**
4. NO tires under 60 series allowed,
NO tire with a treadwear rating of less than 300 allowed.
5. **NO** soaking or altering of tire in any manner allowed. Drivers soaking or altering tires will forfeit all purse and points for event and all points for year. Any illegal tire (decision by track official) will be confiscated.
6. May add camber to right front tire. NO more than 3 degrees of camber.
NO camber in rear tires.

WEIGHT

1. Weight may be added to make competition fair.
2. All double over head cam Honda's - 2300 pounds minimum
3. Any car with an engine 2.2L or larger - 2500 pounds minimum
4. All other cars - 2000 pounds minimum.
5. Any added weight can only be added to the right of the centerline and no further forward than the passengers front seat mounting bolt hole.

ROLL CAGE - SAFETY - APPEARANCE

1. ALL cars must have a Four (4) point roll cage, with 1.5" minimum roll bar diameter.
2. NO altering of frame or suspension in anyway.
3. Racing seat and 5 point harness
4. Fuel Cell or gas tank - No lower than the frame
5. Must cover all holes in front and rear firewall and floorboard.
6. Cars must be painted neatly with contrasting numbers on the doors and on the roof. We recommend numbers be at least 20" tall and non reflective so they can be seen to score.

NO Two way Radios

ALL drivers need race receivers.

Track has right to change/modify rules if needed to make competition more equal.

2021 SUPER STREET (TENTATIVE)

THE INTENT AND INTERPRETATION OF THE RULES WILL BE THE DECISION OF OFFICIALS IN CHARGE. IT IS STRONGLY RECOMMENDED THAT ANY COMPETITOR THAT HAS ANY QUESTIONS OR DOUBT ABOUT THE INTERPRETATION OR INTENT OF THE RULES CHECK WITH SPEEDWAY OFFICIALS. ALL DECISIONS OF THE OFFICIAL IN CHARGE SHALL BE FINAL.

CHASSIS/BASE WEIGHT

1. American made cars 1965 and newer 105 minimum wheel base.
NO camaros or mustangs. May run T-Birds
2. 3000 lbs base weight minimum at all times, including after race with driver.
3. Races longer than 25 laps will have a 1 lb per lap allowance
4. 56% left side weight max. Weight may be added for minor infractions, to make competition equal.
5. 360 CI max. Max. bore size of .060 over. NO strokers or 400 CI small blocks.
6. No widening of the frame or chopping of the body.
7. Jack Bolts may be run on all four corners.
8. **RACE RECEIVERS ALL DRIVERS**

ENGINE & DRIVE TRAIN

1. No engine larger than 360 CI .060 over OEM blocks only. Must have casting numbers on block
2. Stock OEM or after market cast steel crank shaft with 3.480 stroke only. Eagle or scat OK (NO strokers)
3. RODS Any length stock appearing such as Eagle (SIR) or the Scat stock appearing
4. PISTONS: Flat-top pistons only 2 or 4 valve relief (No Dome pistons)
5. CAM SHAFT: Hydraulic camshafts only. No Roller Cams.
6. May run roller rockers
7. INTAKE: Any aluminum intake with 1" adaptor plate for a 2 barrel carburetor. NO grinding on intake or matching
8. **HEADS:** OEM Heads, Vortec or Double Humps may be angle cut and have larger valve on intake and exhaust. 305 heads with bigger valves may be run. **NO** porting or polishing. **NO** bowl work. Valve springs 1.270
9. **OIL PAN** Must have inspection plug inside of pan
10. Engine Set Back. Front spark plug on right side lined up with Jack bolt. If it is any further back than rule will be subject to 100 lbs penalty.
11. 602 GM crate motor with GM seals may run 500 CFM carburetor that fits all gauges. 602 must run by GM spec. book

IGNITION

1. Stock type HEI ignition.
2. All cars will be required to have a MSD soft touch Rev control Box #8728 with a 6500 RPM chip mounted on right side dash out of reach of driver.

TRANSMISSIONS & CLUTCHES

1. Standard automatic transmission with working torque converter
2. Straight shift transmission, OEM manual cast or aluminum NO Jerico or racing transmission allowed.
3. Stock type clutches and pressure plates. Flywheels no lighter than 15 lbs. (Steel only) unless you are running an automatic transmission.
4. Must have blow proof bell housings. Cut out on bottom for inspection. NO stock bell housings. May run hydraulic throwout bearings and pedals.

SUSPENSION

1. 6" minimum frame height. NO tolerance
2. 5" minimum coil springs diameter.
3. May run jack bolts on front and rear.
4. Tubular upper A-Frames may be run
5. Sway bar may be mounted floating style and fully adjustable (like Late models or Modifieds)
6. Rear upper and lower trailing arms must remain stock length. Pinion angle can be adjusted by drilling upper control arms at rear end. Adjustment holes must be reinforced with washers and securely welded
7. Rear control arm bushing may be replaced with polyurethane or rubber replacements only.
8. Ball joints OEM replacements upper and lower
9. Stock spindles only no after market
10. Drive shaft steel only

REAR ENDS

1. 10 bolt, 12, bolt, or 9 inch Ford (No Floaters) rear ends allowed all must be 4 link stock type hook up (NO 3 links)
2. Locked rear ends only mini spool, welded or full spools only
3. NO limited slips, true trucks or ratchet type units.

SHOCKS

1. Steel body non-rebuildable shocks. The FB AFKO shocks or the WB Pro shocks #77,76,75,74. NO split valve shocks allowed 50/50 shock only
2. NO bump stops or suspension limiters allowed

WHEELS, BRAKES & TIRES

1. 8" steel wheels only any offset
2. Disc brake on front and rear ok. **NO** Neal type dual pedals for brakes. One master cylinder.
3. **TIRES:** Track tires only. American Racer KK-704. Must be purchased from Sayre Speedway dealer and must have Sayre Seal stamped on tires

SOAK RULE NO Soaking or altering of tire in any manner allowed. Drivers soaking tires will forfeit all purse and points for event and start on rear of field next race.

PROTEST

1. All protest must be handled in orderly manner. Refer to General Rules.
2. \$325 covers complete motor flywheel and clutch or converter
\$175 To pull head. Covers anything you can see or measure with head off
\$75 to check crank and rods by pulling inspection plug. If no plug in pan you are disqualified.
\$75 to pull intake
\$100 to pull flywheel and check weight and pressure plate

BODY AND APPEARANCE

1. Stock steel roof quarter panels and fenders. Doors can be made of aluminum or steel. Bottom of quarter panels can be made of aluminum or steel.
Must maintain the appearance of the stock bodies in all ways.
2. Side skirts allowed. NO lower than 6" from the ground
3. Cars must not have any sharp or pointed edges.
4. Must have 1/8 lexan full windshield. Must allow 5" at top of windshield for division sponsor stickers.
5. May make trunk out of Aluminum, steel, sheet metal
6. Drivers must post their claimed weight at all times on the top left corner of windshield in 1.5" all numbers. Numbers must be easily visible to officials.
7. No chopping channeling
8. All holes in front and rear firewall and floor board must be covered with metal
9. Firewall and floor pan must remain stock and in original position
10. Hood may be made of fiberglass or aluminum.

RACE RECEIVERS ALL DRIVERS

Numbers must be at least 20" tall and non reflective. Must contact Sandra Parker (205) 798-2171 for car number available in your class. NO duplicate Numbers. NO letters

If rules are not clear or if you have any questions or concerns regarding new rules, please email Barry at barrysperformance@gmail.com

For rule information, call Jody Melton, (205) 936-8826

ROAD RUNNERS 2021 (TENTATIVE)

American made 2 or 4 door sedan or station wagon. V-6 front wheel drive cars or V-6 trucks. American made Ranger, S-10, Explorer, Blazers, Dakotas, Durangos. 4-cyl cars Cavaliers, Alero, Sunfires, Avengers. CARS; Tarus, Impala, Malibus, Regals, Olds Cutlass, Monte Carlo, Grand Prix. Mustangs and Camaro OK to run, **NO** 2 seater sports cars.

DRIVE TRAIN AND ENGINES

1. Completely stock, NO altering of any kind
2. Horn must blow
3. Radio must work
4. Gauges must work (Factory ones). Dash must be stock for car
5. May have Quick Release Steering wheel and shaft (goes with car)
6. Seat Belts (mandatory). Fire Extinguisher also mandatory
7. NO hulling of any kind, except driver door for roll cage
8. Must have post and plates if you don't have roll cage
9. Roll cages recommended
10. Stock wheels and tires for cars, trucks and SUVs. Book size for base models. Must have proof of stock size tires.
11. Must have owners manual in glove box of truck or car. If owners manual not available must have proof of stock size in glove box, (i.e printed off internet.)
12. Engine stock for make and model.
13. NO headlights or side glass in cars
14. NO adding camber of any kind
15. DO NOT take anything out from under the hood.
16. May lean front tires in for wear. 2 degrees on right front only
17. Air pressure in tire no lower than 30 lbs. All 4 tires same.

Cars may be run in either direction at any time. This means practice or race

CLAIM RULE

\$1,000.00 Claim on car or truck minus safety equipment, seat belts and cages if bolted in. If welded goes with car. The winner is only car on track that can be claimed.

This is a new class. Track has the right to modify rules as needed.

This is going to be a class for fun and entertainment. ANYBODY can run this division and run another division the same night. AGAIN THIS CLASS IS FOR FUN

Persons who can drive in this division are at track discretion.

Penalty for not selling car: Loose all points and money for the event and set out for one race and start on rear next time you participate

2021 LIMITED MODIFIED RULES (TENTATIVE)

ENGINE:

1. No engine larger than 350 cu in. .060 over OEM Blocks only. Must have casting #'s on block. Engine set back 72" from back of block to center of rear end housing.
2. **CRANKSHAFT:** Stock stroke, Cast Eagle or Scat cranks ok (No stroker cranks)
3. **RODS:** Must be stock appearing rods
4. **PISTONS:** Flat-top pistons only (no Dome pistons) .060 max. bore.
5. **HEADS:** Cast iron heads only (No vortex, 305, double hump or closed chamber heads. Casting # (39863336), (333882), (462624), 3932441), (3973487), (3998993), (3973493), (932441) 1.940 intake valves, 1.500 exhaust valves on all heads Chevy, Ford, Dodge. No grinding or porting on heads. **NO** matching intake.
6. **INTAKE** Typhoon or Edelbrock 7101 Performer RPM. **NO** matching, grinding or porting on intake.
7. **ROCKER ARMS:** Roller Rocker arm allowed. 1.5 on Chevy; 1.6 on Ford. Numbers must be on Rocker Arms.
8. **CAMSHAFT:** Hydraulic cam only. (**NO** roller Cams) 490 lift max. with .010 tolerance.
9. **CARBURETOR:** 350 2 barrel stock, choke may be removed. Must check with gauges at any time before or after race. 1" adaptor only.
10. **DISTRIBUTOR:** HEI stock type or MSD OK to run.
11. **HEADERS** may be run.

SUSPENSION and DRIVE TRAIN

1. Stock type ball joints.
2. **SHOCKS:** Steel shocks only. **Fix Bearing type SHOCKS** or (WB Series) or (FB Series) type only.
Buy rule on shocks. May buy front shocks \$160 or rear shocks \$160. (Front and rear \$320)
3. **DRIVE SHAFT:** Steel only
4. **FRAME HEIGHT:** 4" at lowest point (Except cross members)
5. **REAR END:** 9" Ford allowed, Floaters allowed. Mini-spool or full spool only. (No quick changes) **NO** Lockers

6. **TRANSMISSION:** 3 or 4 speed only, no racing transmission (like Tex, Jerico, Bert, Falcon, Brinnn)
7. **FUEL CELL:** Must be at least 8" from ground and have at least 2 1" straps around it.
8. **CLUTCH:** 7 1/4", 2 or 3 disc type clutches allowed only.

WHEELS, BRAKES AND TIRES

1. 8" Steel Wheels only
2. Tires: Track Tires

Tires must be purchased from Sayre Speedway dealer and must have Sayre seal stamped on tire.

SOAK RULE NO Soaking or altering of tire in any manner allowed. Drivers soaking or altering tires will forfeit all purse and points for event and all points for year.

NO two way radios

PROTEST

All protest must be handled in an orderly manner. Top end protest \$200.00. This checks for flat-top pistons, bore, stroke, ported heads, size of valves and cam lift. To pull intake is \$100.00. This checks cam lift and ported and polished heads. \$150 to pull oil pan and see crank and rods.

Drivers that can run this division will be at track discretion.

WEIGHT RULE

1. 2500 lbs after race with driver.
- 2.. Weight may be added for minor infractions

IF THESE RULES DO NOT STATE YOU CAN DO IT, YOU CANNOT.

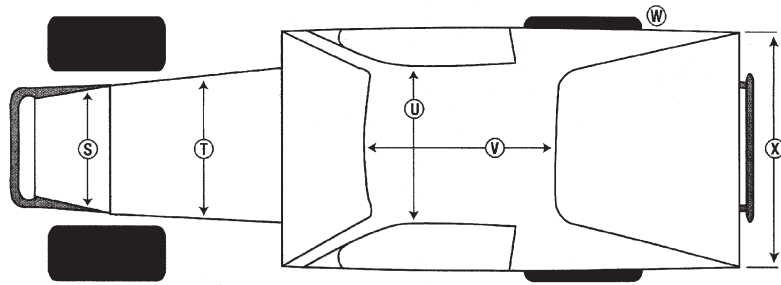
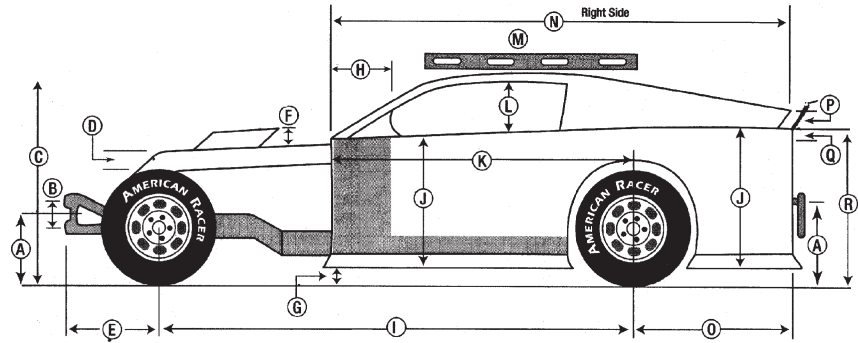
This division is based on keeping this class inexpensive like the Street Stock. Remember - Keep it cheap.

LIMITED MODIFIED BODY DIMENSIONS FOR 2021

- A. 20" max 16" min. (ground to center of bumpers, front and rear)
- B. 6.5 min. (center to center)
- C. 52" max. 42" min.
- D. Hood 4" max. drop (sides). sealed off from driver's compartment and max. 3" rake.
- E. 42" max.
- F. 6" max.
- G. 4" min.
- H. 19" max., must be same on both sides.
- I. 112" max. 105" min.
- J. 27" max 22" min.
- K. 72" max. or not past back of block, right side. Left side may extend forward to cover foot box
- L. 18" max. 12" min. opening, both sides.
- M. With level, must have between 1/2" and 2" clearance at rear of roof, 1/2" to 5" at front.
- N. 120" max. 106" min.
- O. 48" max. 34" min.
- P. 5" Spoiler
- Q. Interior slope is 6" max. front to rear and flat across. If flat at front half of interior you have used up 50 % of your 6" so from behind driver to rear you may only have 3". Top of interior must be flush with top of door and quarter panels. An optional escape hatch from driver to passenger door to provide 12" opening allowed.
- R. 38" max 28" min.
- S. Max. no wider than front frame horns. Min. 24"
- T. 66" max. 24" min. no narrower than radiator.
- U. 52" max 44" min.
- V. 56" max. 41" min.
- W. Tires must be widest part of car.
- X. 66" max. 53" min.
- Y. All rear bumpers must be constructed of square or round tubing, no wider than five inches outside of rear frame rails and similar to drawing. If rear bumper is wider than five inches outside rear frame rails, it must be constructed in a loop design like drawing

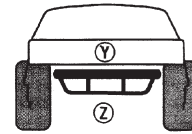
Shaded area reserved for sponsor decals. MUST DISPLAY ALL DECALS TO BE ELIGIBLE FOR ANY CONTINGENCY AWARDS OR POINT FUNDS.

(P) 5" Spoiler

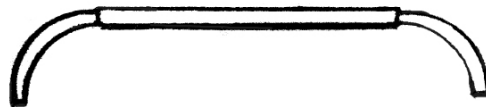


Sail Panels

Sail Panel



Rear Bumper



2021 MINI MODIFIED (TENTATIVE)

THE INTENT AND INTERPRETATION OF THE RULES WILL BE THE DECISION OF OFFICIALS IN CHARGE. IT IS STRONGLY RECOMMENDED THAT ANY COMPETITOR THAT HAS ANY QUESTIONS OR DOUBT ABOUT THE INTERPRETATION OR INTENT OF THE RULES CHECK WITH SPEEDWAY OFFICIALS. ALL DECISIONS OF THE OFFICIAL IN CHARGE SHALL BE FINAL.

CARS LEGAL FOR DIVISION

Any 4 cylinder, 2 or 4 door (4 passenger) sedan, or station wagon foreign or domestic - between 90" and 105" wheel base.

FUEL CELL - Fuel cell **REQUIRED**. Must be mounted securely with 10" (ten inch) ground clearance. **ALL CARS** will have a fire wall between driver and fuel cell.

ENGINE AND DRIVE TRAIN

1. Engine must be factory stock for make and model of car in stock position.
2. 2000 lb. minimum after race. Mustang with stock appearing body must weigh 2150 lbs. Mini Modified type cars with coil over type shocks and fiber glass bodies will have to weigh 2250 lb. Front Wheel drive weight: 2200.
4. Engine can be balanced.
5. May run after market rods
6. Lightening of crankshaft ok. Must be Stock stroke.
7. Anything can be done to the head. May be ported and polished and run any valve size. Fords may run aluminum head.
8. Any aluminum intake with maximum of 2" from intake to carburetor.
9. May run roller cam and rockers on Fords. Toyotas may run roller rockers.
10. Exhaust headers optional.
11. May run single or double disc type clutches such as 10,000 RPM or Goldstar, or Tilton with Aluminum Flywheel.
12. Stock transmission and rear ends. (Locked rear ends optional)
13. Carburetor stock 350 CFM (7448) Holley Carburetor. Must fit gauges. May remove choke plate. **No** cold air boxes.
14. Battery can be located behind driver but must be covered if run there. Must be self starting.

BODY AND APPEARANCE

1. Bodies may be fiberglass or Aluminum

May cut holes in hood for air cleaners. Must check with official before running.
Stock, firewall and floor pan (front and rear).

2. Stock size windshield. Side windows no more than 12 inches back on each side.
3. Safe steering shaft.
4. Dash may be made with steel or aluminum. Must reach from one side to other side.
5. Car must be safe in all ways possible. (See General Rules)
6. Car must have neat appearance
7. Spoiler - 5" spoiler

WHEEL, TIRES, BRAKES AND SUSPENSION

1. Steel wheels. 8"
2. **TIRE RULE:** Track tires

Tires must be purchased from Sayre Speedway dealer and must have Sayre seal stamped on tire

SOAK RULE NO Soaking or altering of tire in any manner allowed. Drivers soaking or altering tires will forfeit all purse and points for event and all points for year.

3. Stock brakes. Can run adjustable brake pedals
4. Stock suspension required in stock position - may be reinforced. A-frames can be shortened or lengthened to set front-end. May run Jack Bolts in rear.
5. Weight may be added for minor infractions
6. Heim joints legal on suspension

CLAIM & PROTEST

All protest will be handled in an orderly manner. Refer to General Rules. You have 10 minutes to protest after the race.

NO Two way radios

THE **WINNER** FROM THE **LAST RACE** WILL **START** NO BETTER THAN 9TH PLACE

Buzz cars with fuel injection may move up to mini modified if needed. Weight starts at 2150 lbs with mini modified tires

2021 PURE STREET (TENTATIVE)

THE INTENT AND INTERPRETATION OF THE RULES WILL BE THE DECISION OF OFFICIALS IN CHARGE. IT IS STRONGLY RECOMMENDED THAT ANY COMPETITOR THAT HAS ANY QUESTIONS OR DOUBT ABOUT THE INTERPRETATION OR INTENT OF THE RULES CHECK WITH SPEEDWAY OFFICIALS. ALL DECISIONS OF THE OFFICIAL IN CHARGE SHALL BE FINAL.

1. Anything not specified in Rules must be stock, in original position, from original manufacturer.
2. American made cars from 106" to 114" wheel base. **NO** Camaros or Mustangs. May run T-Bird
3. Cars must weigh minimum of 3100 lbs. with driver after race. 55% left side weight max. Weight may be added for minor infractions.
4. 360 cubic inch - NO 400 small blocks.
5. 602 Crate Engine will be allowed. Must run by GM spec. with 350 2 barrel carburetor that fits gauges.
6. WEIGHT MAY BE ADDED TO MAKE COMPETITION EQUAL
7. All cars will be required to have a MSD soft touch Rev. control #8728 with a 5800 RPM chip mounted on right side dash out of reach of driver

ENGINE & DRIVE TRAIN

1. No engine larger than 350 CI .060 over OEM blocks only. Must have casting numbers on block. Chevy 305 and Ford 302 engine may be run with 500 CFM carburetors #4412. May have to adjust weight on 305 and 302 cars to make competition equal.
2. CRANKSHAFT: Stock stroke, cast eagle or scat cranks OK . (Cast steel) (NO stroker cranks.) Must have inspection plug in oil pan for tech inspections.
3. RODS Must be stock appearing such as Eagle (SIR) or the Scat Rods
4. PISTONS: Flat-top pistons only (No Dome pistons)
5. CAM SHAFT: Hydraulic camshafts only. Cam lobe lift 300 Chevy would be 300 x 1.5 = 450 + .010 tolerance 460
Ford would be 300 x 1.6 = 480+ .010 tolerance 490
6. INTAKE: Stock aluminum intake. May have center cut out for 2 barrel carburetor Chevys can run 2701 (NO altering) and 2101 NO altering.
Vortec head can run 2716 (NO altering)
Ford can run 2750 or 2181 (NO altering) (302 Ford 2121 No altering)
NO other intakes than the Performer on all makes (unless stock)
NO grinding or porting of intake
7. HEADS: May run double hump, Vortec, 305 heads with 1.940, 1.500 valves. 62cc min. on Double Hump and Vortec heads. 100 lbs penalty on Vortec and double hump and 305 heads. Fords can run the GT40 heads with 100 lbs. penalty with stock size valves. Stock size valve springs only. Other heads that can be run casting # will have to be on heads. Numbers for Chevy 350 are **(39863336) (333882) (462624)(3973487)(3998993)(3973493) (3932441) (932441) 1.940 1.500 valves on chevy. No grinding on heads.**

8. Carburetor - 350 cfm Holley 2 barrel with choke removed. Must fit gauges. **NO** spacers, 1" adapter only. **NO** cold air boxes. **NO** tongue type air cleaners.
9. Battery can be in drivers compartment if covered.
10. Stock ignition must be self starting. **NO** electric fuel pumps.
11. Engine Set Back - Fuel Pump may be back to Frame, but not cut out for clearance

TRANSMISSION

Stock automatic transmission may run remote cooler, stock converter.

Cast Iron Straight shift transmission with 100 lbs penalty.

No Muncie transmissions or aluminum transmissions in Chevys.

Fords and Chrys may run aluminum transmissions. Stock type steel pressure plate clutch. Clutch may have metallic pads on them. Stock fly wheel or L-88 flywheels on Chevys no lighter than 15 lbs. Ford and Chrys may have flywheel no lighter than 15 lbs.

NO ALUMINUM flywheels or pressure plates

Must have Blow Proof Bell Housing, **CUT OUT ON BOTTOM FOR INSPECTION**

No STOCK BELL HOUSING.

May run hydraulic throwout bearing and pedal.

SUSPENSION

1. Stock spindles for year and make of car
2. May run tubular upper A-frames
3. Springs may be replaced but must remain in stock location. Leaf spring cars must have same number of leafs on both sides, no composite springs allowed.
4. Wedge Bolts allowed in rear and hidden screw adjusters in front.
5. Stock mounted shocks only. Racing shock may be run. One shock per wheel in stock location
6. Frame no lower than 6" from ground.
7. **NO** offset cages.
8. Sway bar may be hooked up like the modified or outlaw late models
9. 9" Ford rear ends ok (NO Floaters)
May run disc brakes. Front and rear

BODY AND APPEARANCE

1. Windshield may be replaced with Lexan
2. May cut for wheel clearance. Full stock body. Firewall and floor pan must remain stock. May hull body. May cut hole in hood for air cleaner. Dash may be made of steel or aluminum and **MUST** reach from one side to other. Doors may be made out of aluminum
3. Body must be stock and in stock position on frame. **NO** lowering, narrowing or chopping.
4. Car must have neat appearance and keep car looking nice
After market nose and tail pieces may be run.
5. Car must be safe in all ways possible (See General Rules).
Cars will not run with nose piece or tail piece missing over 1 week

6. May have 4" posts and 3/16 plate on door.
7. Roll cages recommended in driver compartment.

Ok to add bars under hood or trunk.

8. Numbers must be at least 20" tall and non reflective. Must contact Sandra Parker (798-2171) for car number available in your class.

NO duplicate numbers. NO Letters

WHEELS, BRAKES & TIRES

1. Steel wheels only 7" or 8", 3" offset wheels only.
Same offset on all 4 wheels.
2. Disc brake on front and rear ok. **NO** Neal pedals for brakes.
One master cylinder.
3. **TIRES:** Track tires. American Racer KK-704

Tires must be purchased from Sayre Speedway dealer and must have Sayre seal stamped on tire

SOAK RULE NO Soaking or altering of tire in any manner allowed. Drivers soaking or altering tires will forfeit all purse and points for event and all points for year.

PENALTIES	
Straight Shift Transmission	100 LBS
Power Glide Transmission	100 LBS
Vortec or Double Hump Heads	100 LBS
Rods longer than Stock length	50 LBS

PROTEST

All protest must be handled in orderly manner. Refer to General Rules.

\$175 to see top endd

\$175 to see bottom end

\$75 to pull intake

\$25 to check wheels

\$175 to pull oil pan

\$325 covers complete motor and flywheel and clutch or torque converter

RACE RECEIVERS ALL DRIVERS

If rules are not clear or if you have questions or concerns regarding new rules, please email Barry at barrysperformance@gmail.com

2021 LATE MODEL (TENTATIVE)

THE INTENT AND INTERPRETATION OF THE RULES WILL BE THE DECISION OF OFFICIALS IN CHARGE. IT IS STRONGLY RECOMMENDED THAT ANY COMPETITOR THAT HAS ANY QUESTIONS OR DOUBT ABOUT THE INTERPRETATION OR INTENT OF THE RULES CHECK WITH SPEEDWAY OFFICIALS. ALL DECISIONS OF THE OFFICIAL IN CHARGE SHALL BE FINAL.

CHASSIS

Tubular Frame cars w/coilovers

Built Motor Cars and 604 Crate Cars 2750

602 Crate Motor 2600

1 lbs per lap burn off

LEFT SIDE WEIGHT

58%

59%

ENGINE RULE

Cast iron blocks only.

Engine compression cubic inch not limited

One Carburetor (any size)

CLUTCH AND TRANSMISSION

Must have forward and reverse gears

WHEELS, TIRES

10" Steel wheels only (any offset)

Track Tires- Tires must be purchased from Sayre Speedway dealer and must have Sayre seal stamped on tire

SHOCKS AND SPRINGS

Any Shock and Springs

Bump Stops OK

FUEL CELL

Fuel cell mandatory. 8" minimum ground clearance. Must have

2 straps across top of cell to protect cell.

BODY

Any late model bodies or outlaw type bodies no wider than 82".

SPOILER

6 1/2" Spoiler

Two way radios will be allowed for safety reasons. Track reserves the right to take away from any driver using them for wrong reason.

If you have questions call Bary Martin (205) 674-0367
For Race Car Numbers, call Sandra Parker (205) 798-2171

6. May have 4" posts and 3/16 plate on door.
7. Roll cages recommended in driver compartment.

Ok to add bars under hood or trunk.

8. Numbers must be at least 20" tall and non reflective. Must contact Sandra Parker (798-2171) for car number available in your class.

NO duplicate numbers. NO Letters

WHEELS, BRAKES & TIRES

1. Steel wheels only 7" or 8", 3" offset wheels only.
Same offset on all 4 wheels.
2. Disc brake on front and rear ok. **NO** Neal pedals for brakes.
One master cylinder.
3. **TIRES:** Track tires. American Racer KK-704

Tires must be purchased from Sayre Speedway dealer and must have Sayre seal stamped on tire

SOAK RULE NO Soaking or altering of tire in any manner allowed. Drivers soaking or altering tires will forfeit all purse and points for event and all points for year.

PENALTIES	
Straight Shift Transmission	100 LBS
Power Glide Transmission	100 LBS
Vortec or Double Hump Heads	100 LBS
Rods longer than Stock length	50 LBS

PROTEST

All protest must be handled in orderly manner. Refer to General Rules.

\$175 to see top endd

\$175 to see bottom end

\$75 to pull intake

\$25 to check wheels

\$175 to pull oil pan

\$325 covers complete motor and flywheel and clutch or torque converter

RACE RECEIVERS ALL DRIVERS

If rules are not clear or if you have questions or concerns regarding new rules, please email Barry at barrysperformance@gmail.com

